

Always Open® Impulse merchandisers

Checkstand and Cool Spot

The Checkstand and Cool Spot are the perfect point-of-purchase promotional displays for high traffic areas. Their small footprint makes maximum use of valuable checkout areas. Because they draw low voltage, these units can be easily moved as seasonal trends or store traffic demand. Consider cross-merchandising these displays with chocolates and near greeting cards and gifts!



Checkstand RSC-36



Cool Spot (shown with options) RSC-31

Standard Features

Merchandising Flexibility

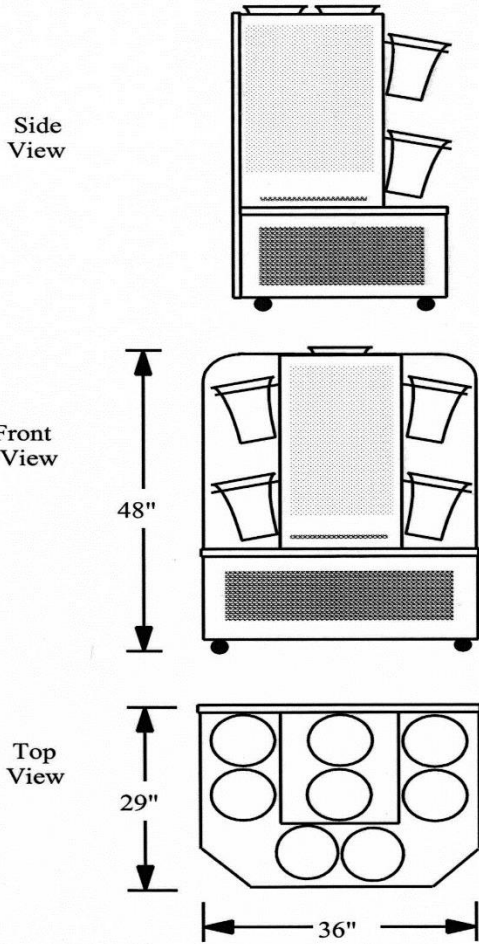
- Always Open® promotes impulse buying and enhances product visibility
- Checkstand in matte black, corrosion-free laminate; flowers set in adjustable rings; stainless steel and aluminum components; with lockable casters
- Cool Spot with glass windows, gloss finish; on glides
- Plug-in anywhere 115v operation

Performance

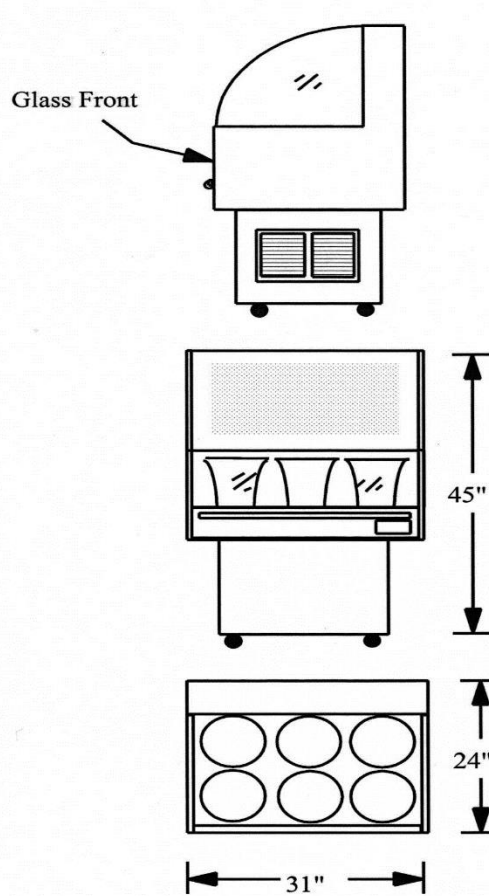
- Patented boundary layer airflow directly cools vases and gently envelops flowers to keep them fresher longer
- Thermostatically controlled with an “on demand” defrost cycle
- Oversized evaporator coil minimizes moisture removal, keeping relative humidity high
- Uniform air flow and low air velocity over the flowers reduces dehydration
- Automatic condensate evaporation (no drains required)
- Ozone-friendly R404a refrigerant
- 1-year standard compressor warranty

Options

- Signing options
- 50hz for international operation (CE marked)
- 4-year extended compressor warranty—5 years total



Check Stand
Model RSC-36



Cool Spot
Model RSC-31

Specifications



Approved to UL471 and CSA C22.2

Model	Width	Height	Depth	Ship (lbs)	Unit HP	Electrical	Amps	Vase Capacity	Refrigerant
Checkstand RSC-36	36"	48 1/2"	29"	265	1/2	115/60/1	15	(14) 9" x 10" round	R404a
Cool Spot RSC-31	31"	45"	24"	200	1/4	115/60/1	15	(6) 9" x 10" round	R404a

The **Checkstand and Cool Spot** are designed for use in air conditioned areas with an ambient temperature of 75°F and maximum relative humidity of 50%.

Floritech reserves the right, without notice, to make changes to this document at its sole discretion.

Units covered under patent No. 479,060. Always Open, Floritech and Air Innovations are registered and U.S. Patent and Trademark Office

For more information on Floritech's Always Open floral coolers, visit www.floritech.net

Floritech® Floral Coolers

Always Open® Impulse merchandisers

7000 Performance Drive • North Syracuse, NY 13212 • 800-535-3295 • 315-452-7440 • Fax 315-452-7420
www.floritech.net

rev. August 2018